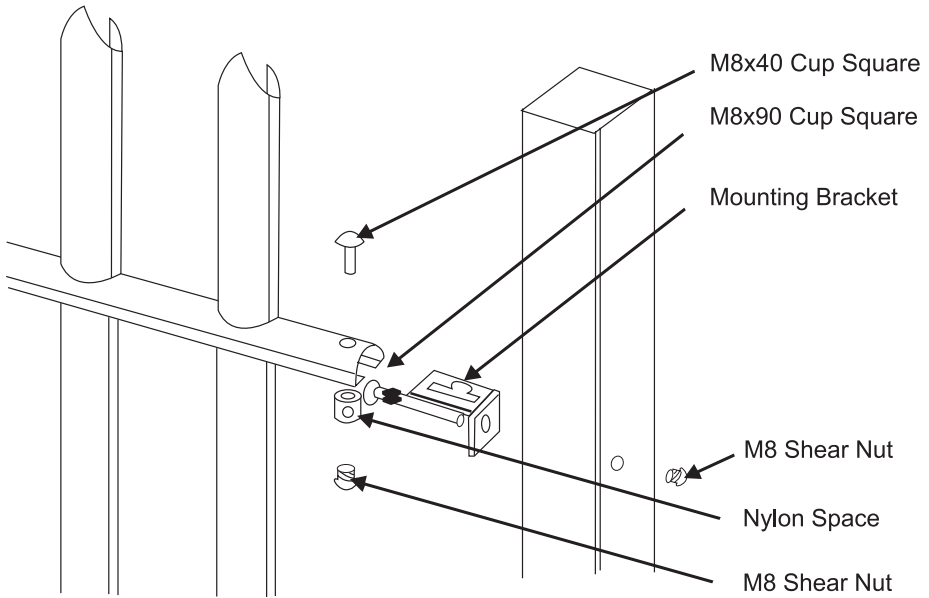


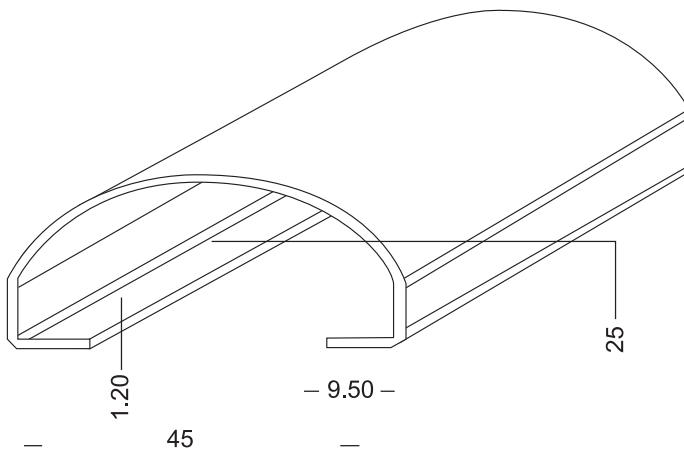
PRE-GALVANIZED PALISADE FENCE

Fixing Detail

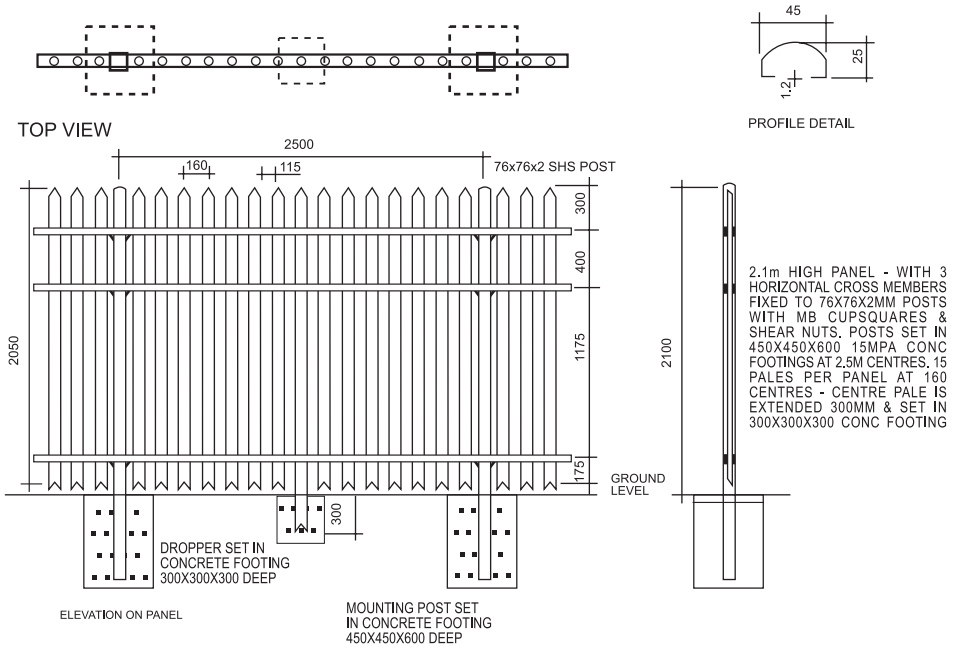


FENCE PROFILE

Rolled Profile

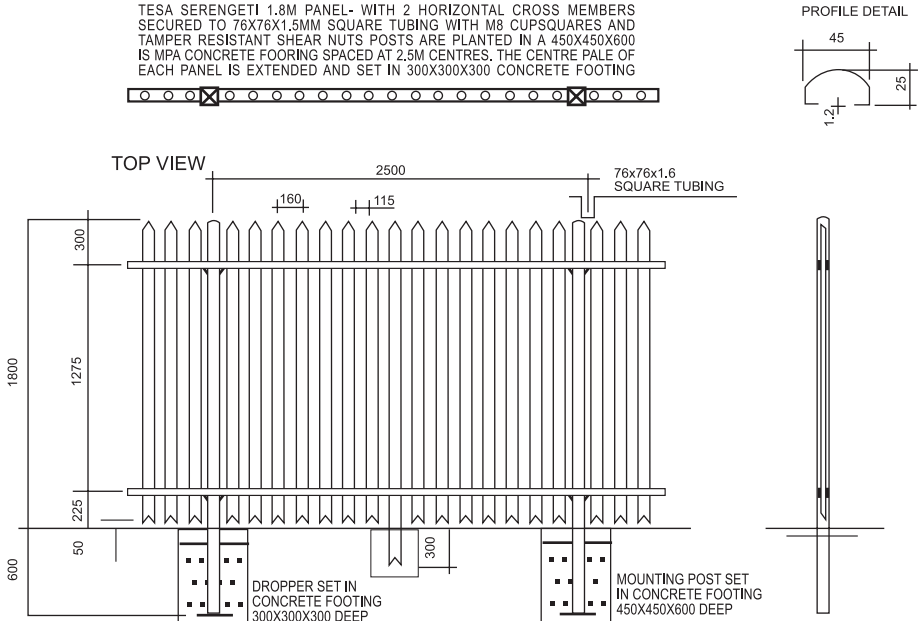


2.1m high Fence Diagram



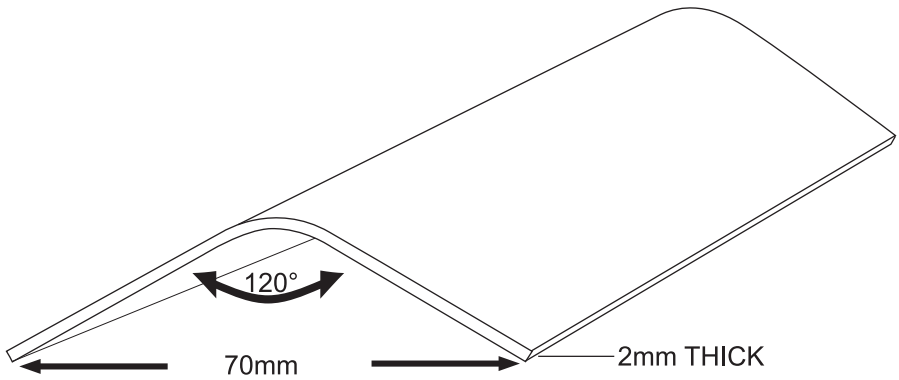
1.8m high Fence Diagram

TESA SERENGETI 1.8M PANEL- WITH 2 HORIZONTAL CROSS MEMBERS SECURED TO 76x76x1.5MM SQUARE TUBING WITH M8 CUPSQUARES AND TAMPER RESISTANT SHEAR NUTS. POSTS ARE PLANTED IN A 450X450X600 IS MPA CONCRETE FOOTING SPACED AT 2.5M CENTRES. THE CENTRE PALE OF EACH PANEL IS EXTENDED AND SET IN 300X300X300 CONCRETE FOOTING

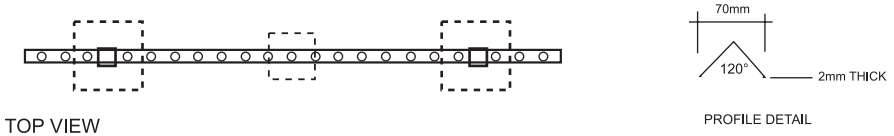


VALUE PALISADE FENCE

Rolled Profile



2.0m high Fence Diagram



TOP VIEW

PROFILE DETAIL

